


# PRODUCT SHEET

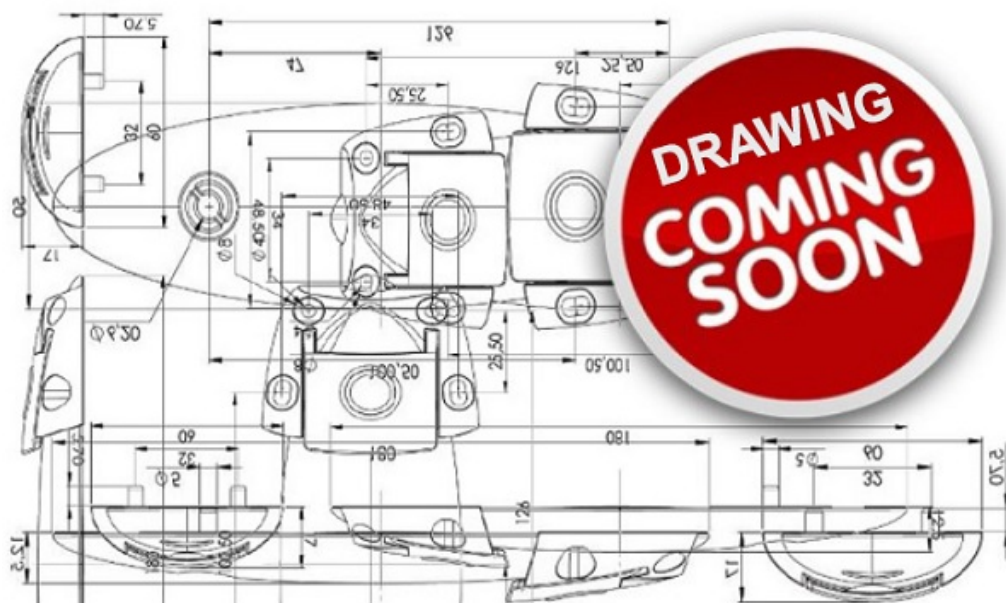
## Description:

Extra Ring Parts F/Front Cover ø30 (Item 15.02.720 to 724)

## Item number:

15.02.725-0

Units	Box	Carton	HS Code	Barcode
Pcs.	100	500	3926300090	 5704866052702



SISO A/S  
Mileparken 11  
DK-2740 Skovlunde  
Denmark  
VAT: DK 24786013

Phone +45 45 830 900  
[www.siso.dk](http://www.siso.dk)  
[siso@siso.dk](mailto:siso@siso.dk)

Danske Bank  
Nytorv Branch  
Copenhagen  
SWIFT: DABADKKK

Account no.  
4180 3112 112936  
IBAN Account  
DK7230003112112936